



InterOutstanding Electronics, Inc.

IOE Group



www.ioeinc.com.tw

New Products – Xfrms - SMT Planar

Where

Energy Conversion ✓

Computing
Datacom
Data Center

Smart Grid
• Smart Meters
• Demand Response
• Distribution

Industrial ✓

Building Energy Mgt
Power Mgt
Backup Power
Lighting

Automotive ✓

Power Mgt
Electric Vehicle
Ignition Systems
Services

Renewable Energy
Distributed Generation
Distributed Storage

Why

Low
Cost

Power
Density ✓

Safety Isolation ✓

Efficiency ✓

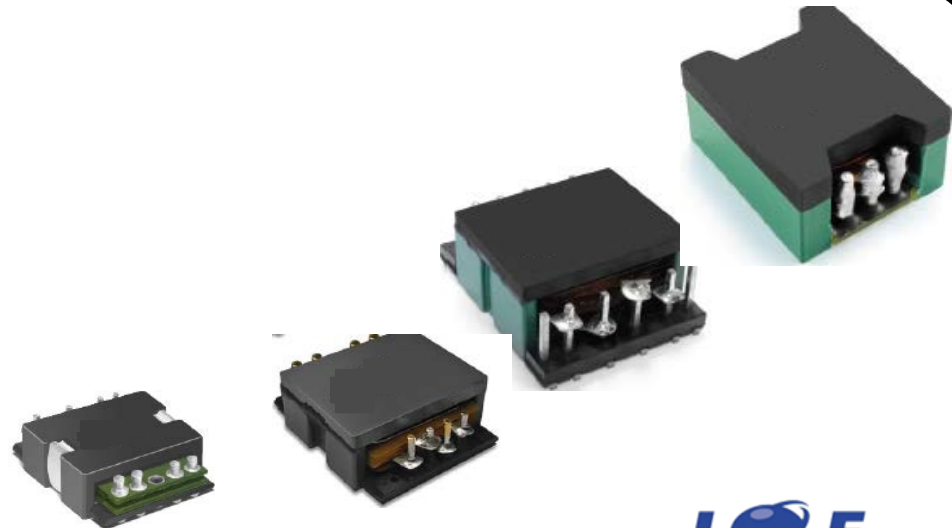
Low
Profile ✓

Second Source ✓

What

New High Density, Lower Cost Planar Transformers

- DC/DC Transformers Up to 1kW
- <12mm Height
- 150W: IOA08xxNL, IOH08xxNL, IOH08xxCNL
- 300W: IOA09xxNL, IOH09xxNL, IOH09xxCNL
- 500W: IOH10xxCNL
- 800W: IOH9xxxNL
- 1000W: IOH10xxDNL



InterOutstanding Electronics, Inc.

Flat Coil Based Winding – IOH08xxNL, IOH09xxNL

HIGH FREQUENCY FLAT COIL PLANAR TRANSFORMERS



InterOutstanding Electronics, Inc.

IOH08XXNL Series (up to 160W)



- ⌚ **Power Rating:** up to 160 W
- ⌚ **Height:** 8.6mm to 9.1mm Max
- ⌚ **Footprint:** 23.4mm x 21.6mm Max
- ⌚ **Frequency Range:** 200kHz to 700kHz
- ⌚ **Isolation (Primary to Secondary):** 1000 V_{DC}

High Frequency Flat Coil Planar Transformer



InterOutstanding Electronics, Inc.

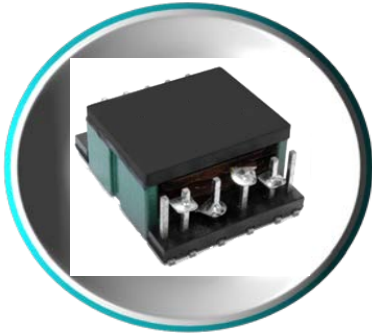
IOH09XXNL Series (up to 300W)



- ⌚ **Power Rating:** up to 300W
- ⌚ **Height:** 10.4mm to 11.9mm Max
- ⌚ **Footprint:** 29.5mm x 26.7mm Max
- ⌚ **Frequency Range:** 200kHz to 700kHz
- ⌚ **Isolation (Primary to Secondary):** 1750V_{DC}

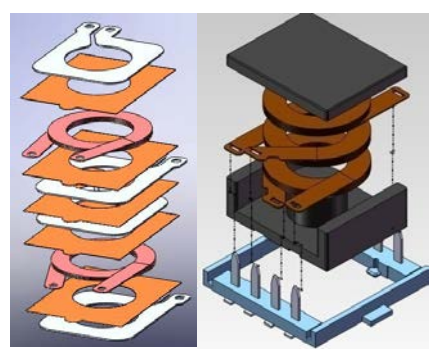
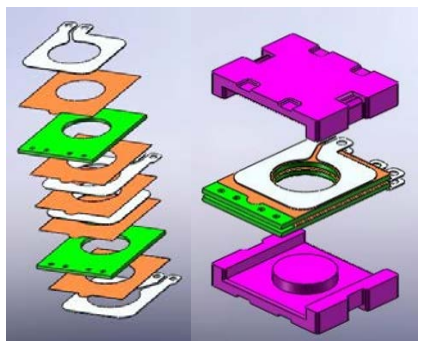


[Press Release](#)



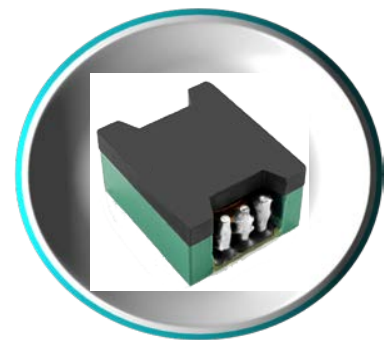
1st Generation

2nd Generation

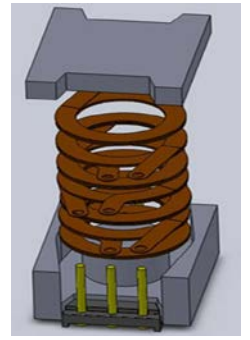


Features

- Lower Cost Planar Transformers
- Flat Coil Windings for lower DCR
- Pinned header for easier assembly
- 1.5kV Isolation
- Functional Insulation
- 160W up to 1kW
- 200kHz – 800kHz
- More compact design
- Optimized core design for greater power

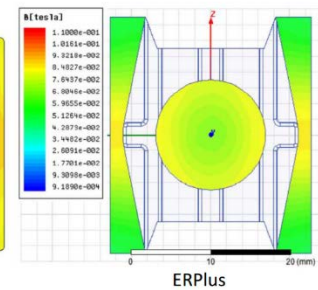
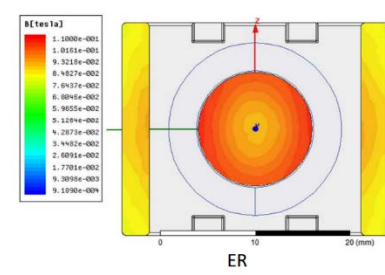


[Press Release](#)

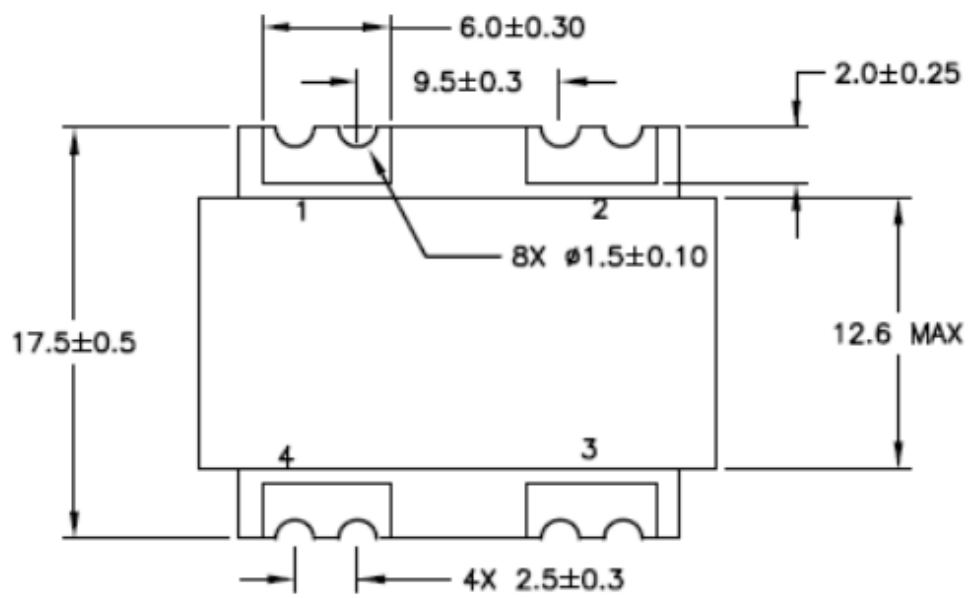


ER Platform

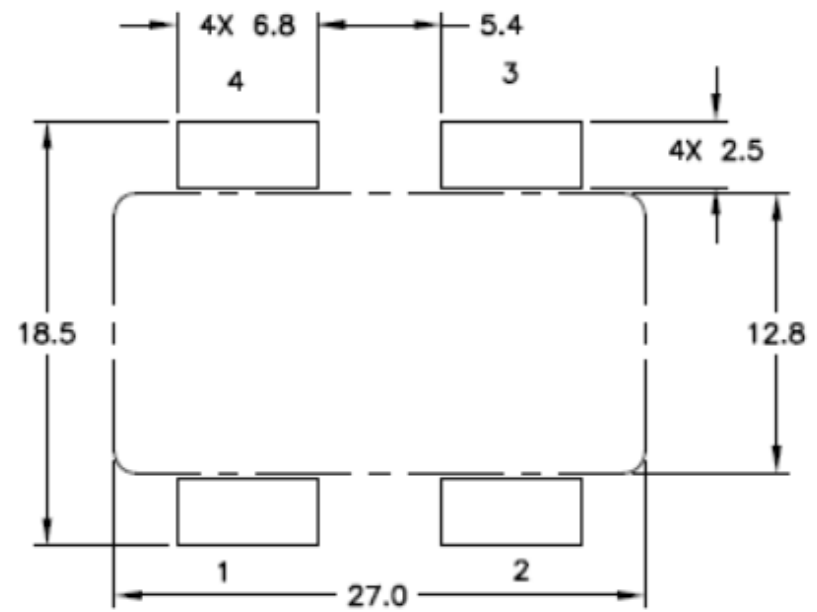
ER25 Plus Platform



- ER25 planar transformer 35V/20A 700W
- Full bridge
- Better efficiency
- Smaller size

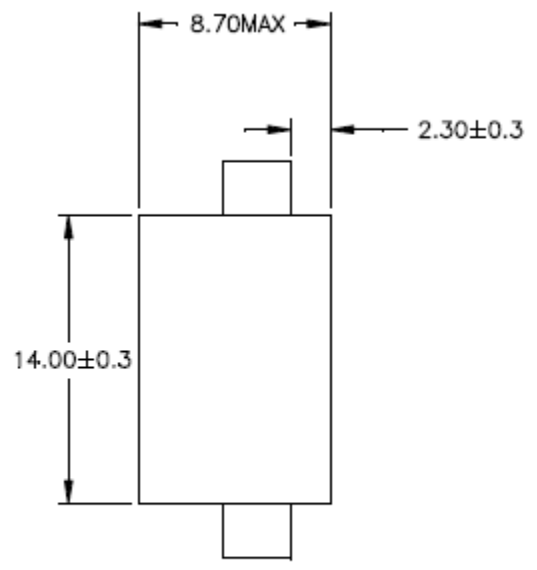
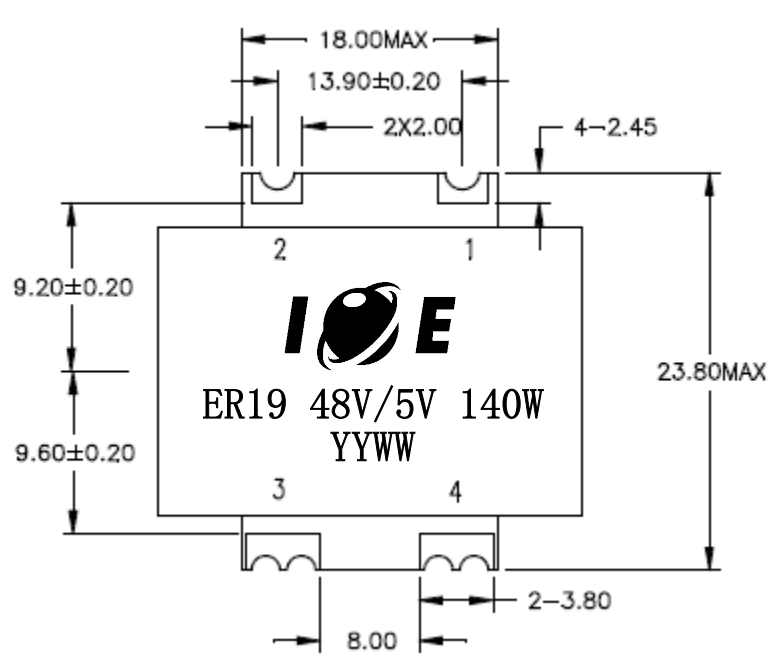
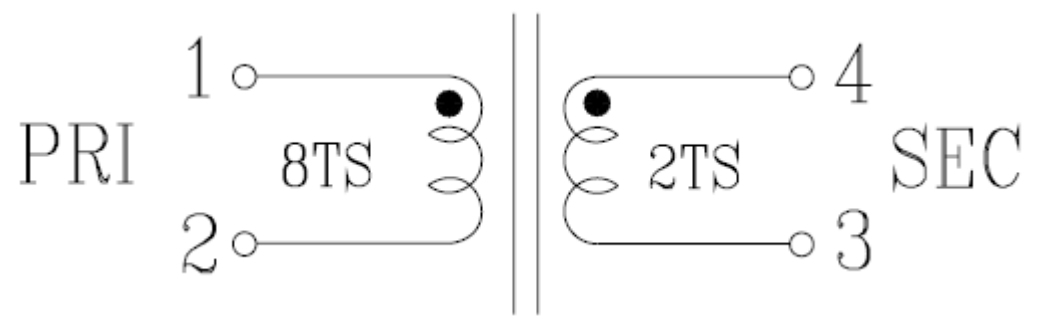


FINAL OUTLINE



SUGGESTED LAND PATTERN

- ER19 planar transformer 48V/5V 140W
- Active Forward
- Better efficiency





InterOutstanding Electronics, Inc.

Thank You!

www.ioeinc.com.tw



E- catalogue PDF download